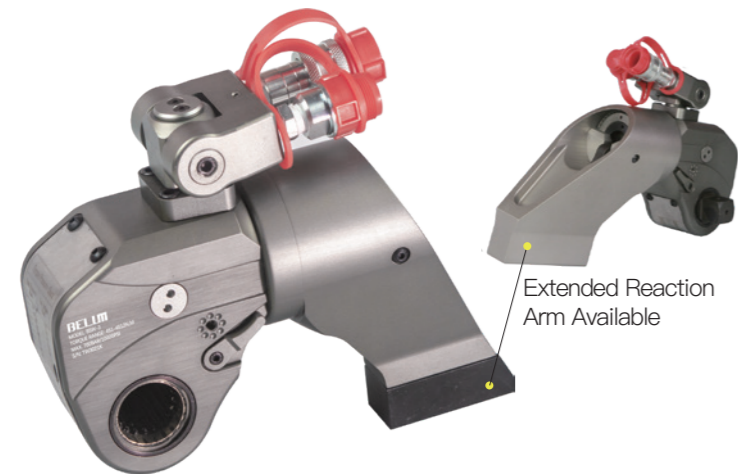
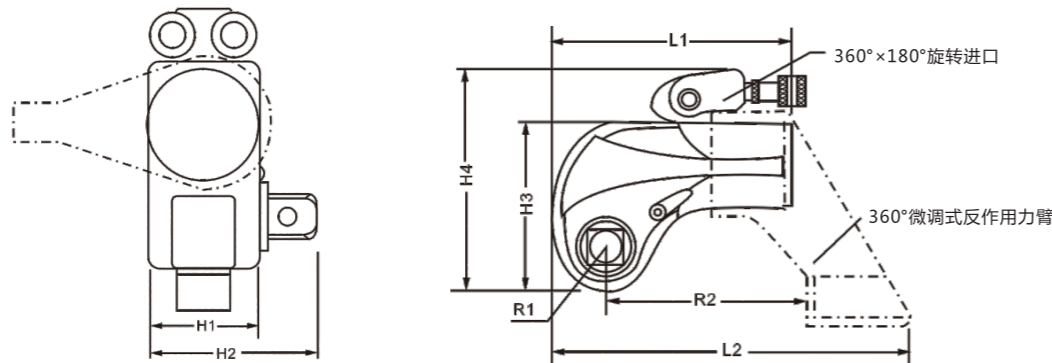


BSW SERIES SQUARE DRIVE TORQUE

The BSW-series square drive hydraulic torque wrenches are compact, easy to use and versatile. The titanium-aluminium alloy and super high strength steel alloy construction means increased strength and durability while minimising weight. BSW-Series torque wrenches are available in 3/4" to 2-1/2" square drive models, with a torque range from 112 to 72,000 Newton Metres (82 to 53,280 ft/lbs). All models are fitted with a 360° swivel coupler and screw couplings.

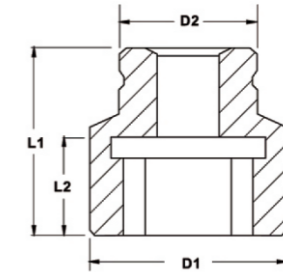


- Using High-tech aerospace material, integrally molded body. Strengthen the body for using durability
- Designing using 3D CAD modeling software, provide torque precision within $\pm 3\%$
- Quick release square drive allows you to switch from tightening and loosening without any other special tools
- Swiveling inlet port Rotates 360 degrees
- 360° fine-tune type reaction arm



Model	Square Drive Size	Torque Range	Bolt Size	Weight	L1	L2	H1	H2	H3	H4	R1	R2
		N.m	M									
BSW-1	3/4"	183-1837	16-36	2	130	182	50	72	99	144	26	99
BSW-3	1"	451-4512	22-48	4	166	241	68	95	130	176	34	134
BSW-5	1-1/2"	752-7528	27-56	7	198	281	80	123	155	198	39	152
BSW-8	1-1/2"	1078-10780	30-64	9.1	213	308	90	130	171	216	47	171
BSW-10	1-1/2"	1551-15516	36-72	13.1	231	336	100	141	187	230	51	174
BSW-20	2-1/2"	2666-26664	42-90	25	295	443	120	182	228	268	59	250
BSW-25	2-1/2"	3572-34725	48-100	31	314	464	137	200	255	295	67	251
BSW-35	2-1/2"	4866-48666	64-120	45	355	489	153	217	290	330	79	271

IMPACT SOCKETS



Socket Model	Wrench Model	Cross Side	Bolt Size	
BSWT-75022	BSW-1	3/4"×22	M14	
BSWT-75024		3/4"×24	M16	
BSWT-75027		3/4"×27	M18	
BSWT-75030		3/4"×30	M20	
BSWT-75032		3/4"×32	M22	
BSWT-75036		3/4"×36	M24	
BSWT-75041		3/4"×41	M27	
BSWT-75046		3/4"×46	M30	
BSWT-75050		3/4"×50	M33	
BSWT-75055		3/4"×55	M36	
BSWT-10027		BSW-3	1"×27	M18
BSWT-10030			1"×30	M20
BSWT-10032			1"×32	M22
BSWT-10036			1"×36	M24
BSWT-10041	1"×41		M27	
BSWT-10046	1"×46		M30	
BSWT-10050	1"×50		M33	
BSWT-10055	1"×55		M36	
BSWT-10060	1"×60		M39	
BSWT-10065	1"×65		M42	
BSWT-10070	1"×70		M45	
BSWT-10075	1"×75		M48	
BSWT-10080	1"×80		M52	
BSWT-10085	1"×85		M56	
BSWT-10090	1"×90	M60		
BSWT-10095	1"×95	M64		
BSWT-15032	BSW-5 BSW-8 BSW-10	1-1/2"×32	M22	
BSWT-15036		1-1/2"×36	M24	
BSWT-15041		1-1/2"×41	M27	
BSWT-15046		1-1/2"×46	M30	
BSWT-15050		1-1/2"×50	M33	
BSWT-15055		1-1/2"×55	M36	
BSWT-15060		1-1/2"×60	M39	
BSWT-15065		1-1/2"×65	M42	
BSWT-15070		1-1/2"×70	M45	
BSWT-15075		1-1/2"×75	M48	
BSWT-15080		BSW-20 BSW-25 BSW-30	2-1/2"×80	M52
BSWT-15085			2-1/2"×85	M56
BSWT-15090			2-1/2"×90	M60
BSWT-15095			2-1/2"×95	M64
BSWT-250100	2-1/2"×100		M68	
BSWT-250105	2-1/2"×105		M72	
BSWT-250110	2-1/2"×110		M76	
BSWT-250115	2-1/2"×115		M80	
BSWT-250120	2-1/2"×120		M85	
BSWT-250130	2-1/2"×130		M90	
BSWT-250135	2-1/2"×135		M95	
BSWT-250140	2-1/2"×140		/	
BSWT-250145	2-1/2"×145		M100	
BSWT-250150	2-1/2"×150		M105	
BSWT-250155	2-1/2"×155	M110		
BSWT-250165	2-1/2"×165	M115		
BSWT-250175	2-1/2"×175	M120		
BSWT-250180	2-1/2"×180	M125		

Socket Model	Wrench Model	Cross Side	Bolt Size	
BSWT-15080	BSW-5	1-1/2"×80	M52	
BSWT-15085		1-1/2"×85	M56	
BSWT-15090		1-1/2"×90	M60	
BSWT-15095		1-1/2"×95	M64	
BSWT-150100		1-1/2"×100	M68	
BSWT-150105		1-1/2"×105	M72	
BSWT-150110		BSW-8	1-1/2"×110	M76
BSWT-150115		BSW-10	1-1/2"×115	M80
BSWT-150120			1-1/2"×120	M85
BSWT-150130		1-1/2"×130	M90	
BSWT-150135		1-1/2"×135	M95	
BSWT-150145		1-1/2"×145	M100	
BSWT-150150		1-1/2"×150	M105	
BSWT-25055		BSW-20 BSW-25 BSW-30	2-1/2"×55	M36
BSWT-25060	2-1/2"×60		M39	
BSWT-25065	2-1/2"×65		M42	
BSWT-25070	2-1/2"×70		M45	
BSWT-25075	2-1/2"×75		M48	
BSWT-25080	2-1/2"×80		M52	
BSWT-25085	2-1/2"×85		M56	
BSWT-25090	2-1/2"×90		M60	
BSWT-25095	2-1/2"×95		M64	
BSWT-250100	2-1/2"×100		M68	
BSWT-250105	BSW-20		2-1/2"×105	M72
BSWT-250110	BSW-25		2-1/2"×110	M76
BSWT-250115	BSW-30		2-1/2"×115	M80
BSWT-250120			2-1/2"×120	M85
BSWT-250130		2-1/2"×130	M90	
BSWT-250135		2-1/2"×135	M95	
BSWT-250140	2-1/2"×140	/		
BSWT-250145	2-1/2"×145	M100		
BSWT-250150	2-1/2"×150	M105		
BSWT-250155	2-1/2"×155	M110		
BSWT-250165	2-1/2"×165	M115		
BSWT-250175	2-1/2"×175	M120		
BSWT-250180	2-1/2"×180	M125		